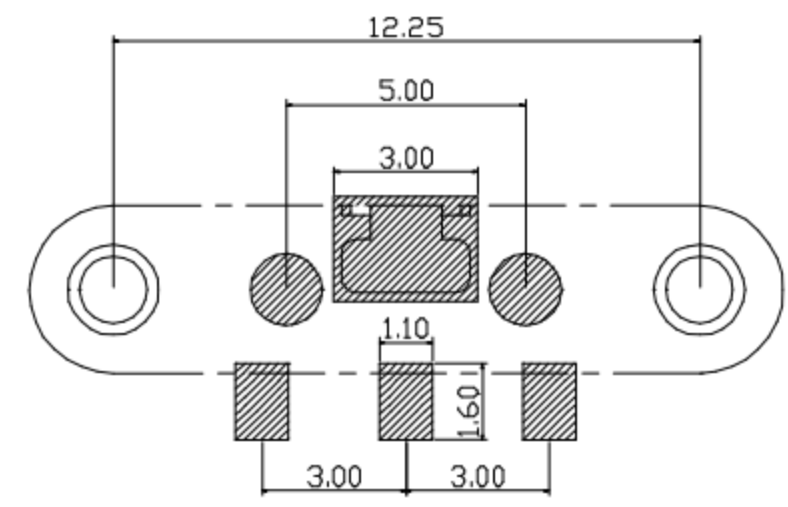
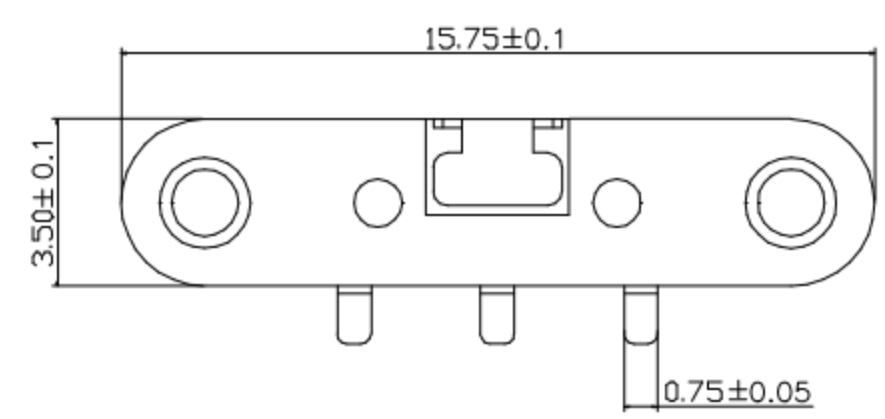
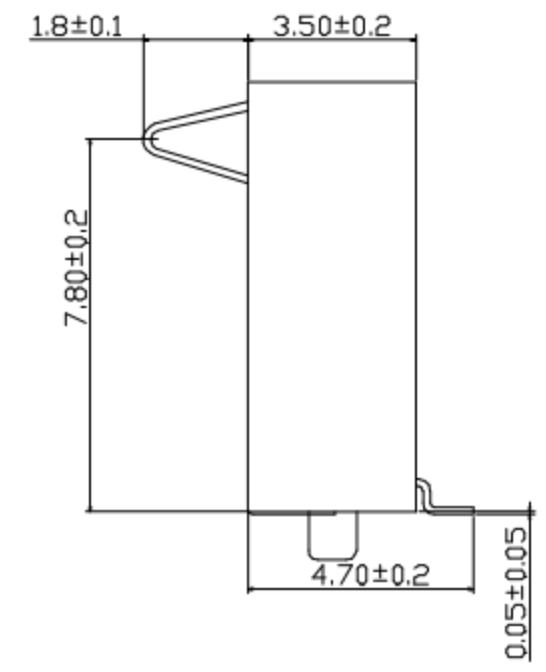
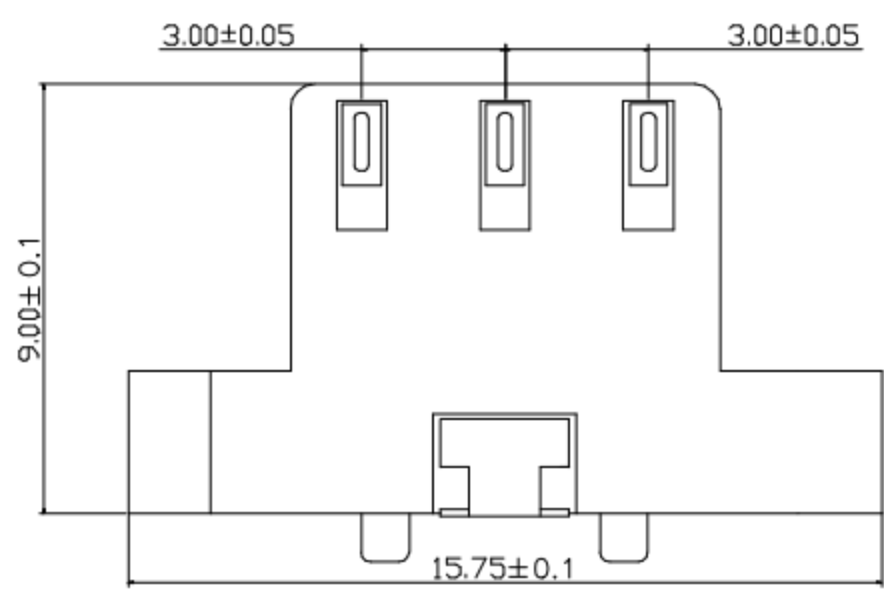


REV.	ECN NO.	DESCRIPTION	DESIGN	DATE
A		INITIAL	Kai	2018.03.29



PCB Layout

性能:
 额定电流: 3.0A
 额定电压: 24V
 耐电压: 500V
 接触电阻: 30mΩ MAX
 绝缘电阻: 500MΩ
 工作温度: -40℃~+85℃
 塑件(材质): LCP, 耐高温260℃
 接触点(材质): 铜合金, 触点镀金3U'

②	HOUSING	1	LCP		BLACK
①	CONTACT A	2	PHOSPHOR BRONZE 0.20T	Au PLATED	
ITEM	PART NAME	Q'TY	MATERTAL	DESCRIPTION	REMARK

UNLESS OTHERWISE SPECIFIED TOLERANCES					
DECIMALS:			ANGLES:		
DIM	TOL		DIM	TOL	
X.	±0.50		X.	±2'	
X.X	±0.30		X.X	±1'	
X.XX	±0.20		X.XX		
X.XXX	±0.10		X.XXX		

东莞市高迪电子有限公司					
DWG NO.		PART NAME:			
DESIGN:		PART NO.			
CHECK:		REV. A		UNIT: mm	
APPROVED		SHEET: 1/1			